

**PIPE FITTINGS CATALOGUE**



# PIPE O.D. TABLE

Nom Pipe Size	Copper Tube AS1432	Steel AS1835	PVC AS1477	Blue PVC AS1477	Cast Iron AS2544	Ductile Iron AS2280	Asbestos Cement AS1711 Table C&D
15mm	12.7	21.3	21.3				
18mm	15.9						
20mm	19.1	26.9	26.9				
25mm	25.4	33.7	33.7				
32mm	31.8	42.4	42.4				
40mm	38.1	48.3	48.3				
50mm	50.8	60.3	60.3				
65mm	63.5	76.1	76.1				
80mm	76.2	88.9	88.9	95.5	95.5	95.5	95.5
90mm	88.9						
100mm	101.6	114.3	114.3	121.9	121.9	121.9	121.9
125mm	127.0	139.7	140.3				
150mm	150.4	168.3	160.0	177.3	177.3	177.3	177.3
155mm			168.3				
175mm			200.0				
195mm			219.1				
200mm	203.2	219.1	225.0	232.3	232.3	232.3	232.3
225mm			250.0		259.1	259.1	259.1
250mm		273.1	280.0		286.0	286.0	286.0
300mm		323.9	315.0		354.4	354.4	354.4
350mm		355.6	355.0				
375mm			400.0		426.2	426.2	426.2
400mm		406.4	450.0				
450mm		457.0	500.0		507.0	507.0	507.0
500mm		508.0	560.0		560.3	560.3	560.3
525mm							
550mm		558.8	630.0				
575mm							
600mm		609.6			667.0	667.0	667.0
650mm		660.4					
700mm		711.2					
750mm		762.0				826.0	
850mm		863.6					
900mm		914.4					



## SNAP CLAMPS

### Style FSC

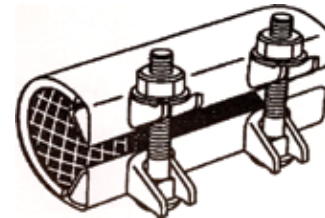
For economical repair of water pipe leaks

Snap Clamps offer a handy and economical way to repair pinholes and other small leaks that do not require a full gasket seal. A heavy gridded gasket design and cushion lugs make them ideal for older pitted pipe that has worn thin over the years.

Shell 18 – 8 Type 304 Stainless Steel

Lugs Ductile Iron per ASTM A536

Finish Zinc Plated



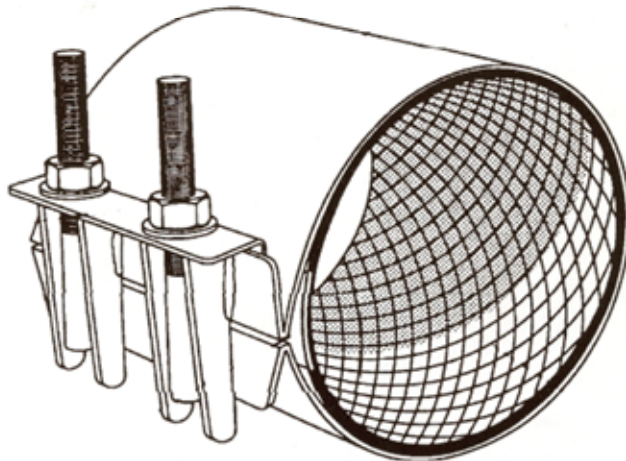
Gaskets Buna-N with heavy grid design extended lug to lug  
Bolts AISI C1018 steel, 3/8" and/or 7/16" electrogalvanised with Di-Chromate seal

To order Specify catalogue number by length of desired clamp

LENGTH (80mm) 3"			LENGTH (150mm) 6"
Pipe Size Inch	Pipe Size Metric	Part No.	Part No.
1/2"	15mm	PSC11710	PSC11715
3/4"	20mm	PSC11720	PSC11725
1"	25mm	PSC11730	PSC11735
1 1/4"	32mm	PSC11740	PSC11745
1 1/2"	40mm	PSC11750	PSC11755
2"	50mm	PSC11760	PSC11765
2 1/2"	65mm	PSC11775	PSC11776
3"	80mm	PSC11780	PSC11785
4"	100mm	PSC11795	PSC11800

- Band - 316 Stainless Steel  
Lifter Bar, Sidebar, bolts, nuts – 316 Stainless Steel
- Gasket - Gridded Buna-N rubber suitable for gas, oil and water.  
Maximum constant temperature is 100° (212°F)
- Passivated - All welds are fully passivated to restore corrosion characteristics of the stainless steel.

### Bolts, Nuts & Washers



All Stainless steel repair clamps combine the characteristics of stainless steel and rubber to provide not only a strong, versatile repair clamp, but also one with excellent corrosion-resistant characteristics and complies with AS 4184.

The all stainless design is lightweight and easy to handle under the adverse conditions with which almost every main break is associated. The fixed position of the bolts prevents them from being separated from the repair clamp and/or falling into the trench. The sliding lifter bar is retained on the bolts by the hex nuts and facilitates the installation by serving as a handle to hold while installing the clamp.

## FULL CIRCLE STAINLESS STEEL REPAIR CLAMPS

Nom Pipe Size	Clamp O.D Range	150mm	200mm	300mm
65mm	2.70"-3.00" 67mm-74mm	PRC 13015		
80mm	2.97"-3.25" 76mm-83mm	PRC 13021		
	3.73"-4.00" 95mm-102mm		PRC 13039	
	3.96"-4.25" 102mm-112mm	PRC 13050		
100mm	4.45"-4.73" 113mm-123mm		PRC 13064	
	4.74"-5.14" 120mm-131mm		PRC 13081	
150mm	5.95"-6.35" 151mm-161mm		PRC 13114	
	6.56"-6.96" 167mm-176mm		PRC 13138	
	6.84"-7.24" 174mm-184mm		PRC 13153	
	7.60"-8.00" 193mm-203mm		PRC 13180	
200mm	8.46"-8.85" 215mm-225mm			PRC 13201
	8.54"-8.94" 219mm-229mm		PRC 13204	

**Other sizes available on request.**

# COMPRESSION COUPLINGS

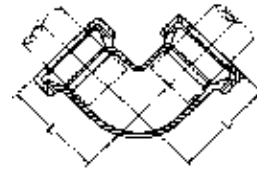
## Straight type (Long)

Nominal Size	Body Outside Diam.	Item Code
1/2	29 (1.14)	PCC1710
3/4	35 (1.38)	PCC1720
1	42 (1.65)	PCC1730
1 1/4	51 (2.01)	PCC1740
1 1/2	58 (2.28)	PCC1750
2	70 (2.76)	PCC1760



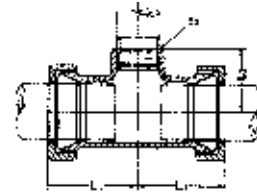
## Elbow type HPL

Nominal Size	Center to Dimension L	Item Code
15mm 1/2"	58 (2.28)	PCC1862
20mm 3/4"	63 (2.48)	PCC1864
25mm 1"	69 (2.72)	PCC1866
40mm 1 1/2"	81 (3.17)	PCC1870
50mm 2"	86 (3.39)	PCC1872



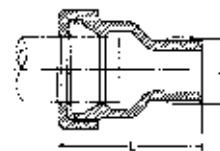
## Tee type with screwed branch HPFT

Nominal Size	Thread Length	Center to End Dimension		Item Code
20mm 3/4"	13 (0.51)	48 (1.89)	35 (1.38)	PCC2111
25mm 1"	15 (0.59)	54 (2.16)	40 (1.57)	PCC2112
32mm 1 1/4"	17 (0.67)	59 (2.32)	45 (1.77)	PCC21120
50mm 2"	20 (0.79)	71 (2.80)	60 (2.36)	PCC2115



## Socket type with one male screw end HPMS

Nominal Size	Center to Dimension L	Item Code
15mm 1/2"	63 (2.48)	PCC2120
20mm 3/4"	68 (2.68)	PCC2121
25mm 1"	74 (2.91)	PCC2122
32mm 1 1/4"	79 (3.11)	PCC2123
40mm 1 1/2"	81 (3.19)	PCC2124
50mm 2"	91 (3.58)	PCC2125



## COMPRESSION COUPLINGS

### Technical information

**Fluids:** air, gas, oil and water  
**Temperature:** -10°C ~ +60°C  
**Pressure:** up to 10kg/cm<sup>2</sup>  
 (when pipes are fixed)

#### Collar

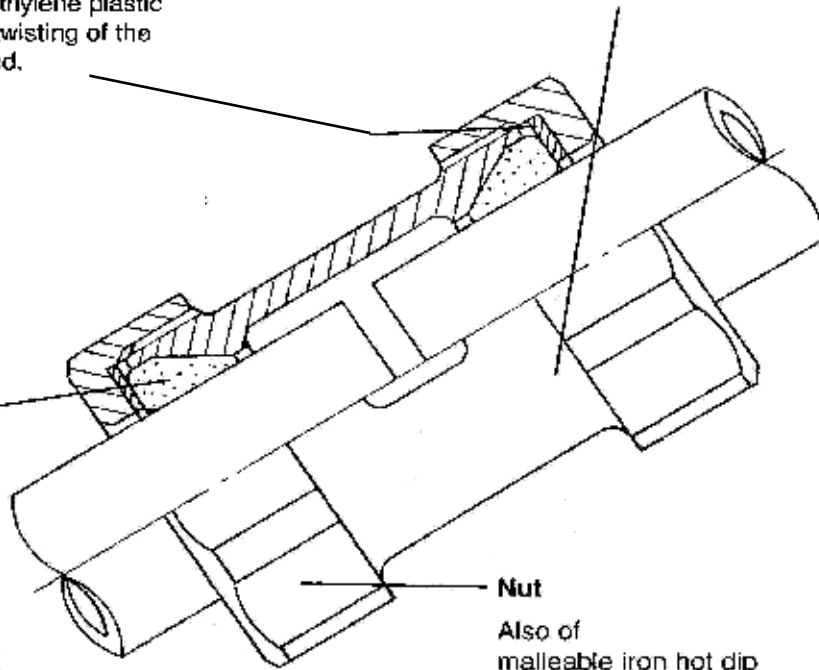
Low friction coefficient polyethylene plastic collar is adopted to prevent twisting of the packing when nut is tightened.

#### Body

Malleable iron hot dip galvanized. Precision guaranteed through fully automatic special purpose machines unique to Hitachi.

#### Packing

Oil and water resistant nitrile butadiene rubber (N.B.R.) is used for packing because of its outstanding mechanical properties. The shape of the packing allows it to be firmly pressed into the cavity to act as a dependable seal.



#### Nut

Also of malleable iron hot dip galvanized. Precision guaranteed through fully automatic special purpose machines.

Before tightening



## **Straight Couplings**

The sizes shown in the schedules of dimensions are for guide purposes. Straight Couplings manufacturing methods enable us to supply any size, including non-standard sizes.

Straight couplings are pressure rated to the appropriate pipe standards. Working pressure is generally two thirds of maximum test pressure shown in the schedules of dimensions. These pressures apply to a buried line with Adequate thrust blocks or to pipelines above ground anchored at ends and at all changes of direction also secured against side thrusts at each joint.

Sealing rings are of a natural rubber and are suitable for water and sewerage services, chemicals and dilute acids in the temperature range – 50° C. Other sealing materials can be used, increasing temperature range to greater than 100° C. These materials are available on request.

## **Pipe Movement**

Straight couplings, though capable of accommodating reasonable expansion and contraction, do not Mechanically prevent separation of pipe ends subject to end thrust, and this must be prevented by other means. To prevent separation of pipe ends, harness assemblies consisting of lugs for welding to adjacent pipes, and Connecting tie rods can be supplied. Pipes must be anchored against end load, particularly when the pipeline is laid above ground. A buried pipeline normally needs anchoring only at abrupt changes in direction and at junctions or stop ends.

## **Expansion and Contraction**

Each Straight coupling will accommodate maximum pipe movement of, 9.5mm and each flange adaptor 4.8mm This is achieved by deformation of the sealing ring, not by a sliding action of the ring on the pipe. This will cater for expansion and contraction resulting from temperature variations, experienced under normal Atmospheric Conditions. The resistance to pipe end separation offered by couplings is dependent upon the number of variable Installation factors such as pipe surface, pipe tolerance, coupling component tolerances, etc. And, is thus different for every case. For complete safety it is advisable to assume that the worst conditions prevail for each installation.

## **Bolts**

Hot-dip galvanized bolts are supplied as standard.

Galvanising conforms to:

(BS 729-1971, related ISO 1461)

Stainless steel bolts are available at extra cost.

## **Recommended Bolt Torque**

Couplings up to 324mm OK M12 bolts- 65-80 Nm.

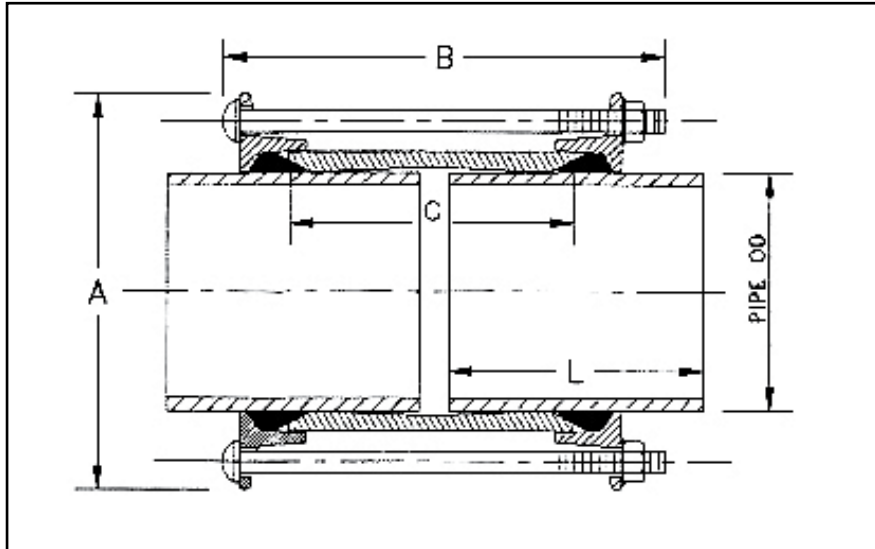
Couplings over 324mm OD M16 bolts- 95-120 Nm.

## **Centre Register**

The centre sleeve can be supplied with or without internal centre register studs. The registers provide a locating stop to centre the coupling which facilitates the laying of long pipe runs. Centre registers also provide the possibility of the coupling creeping at positions where there are continual axial movements. Couplings without centre register are necessary for fitting closing lengths on a pipeline, or for withdrawing any particularly length for cleaning or inspection. Locating plugs may be fitted to couplings to act as removable centre registers, thus providing the advantage of both types.



**COUPLINGS FOR STEEL OR P.V.C. PIPE STYLE 38/129**



Nom Bore mm	Pipe OD mm	Min Length mm (L)	Coupling Length mm (B)	Sleeve Width mm (C)	Standard Test Pressure (bar)	Code
50	60.3	100	178	83	24	PCO551001
65	76.1	100	178	102	24	PCO55140
80	88.9	100	178	102	24	PCO55150
100	114.3	100	178	102	24	PCO05539
125	139.7	100	178	102	24	PCO55410
150	168.3	100	178	102	24	PCO55155
200	219.1	100	178	102	24	PCO5563
250	273.1	100	178	102	24	PCO5554
300	323.9	100	178	102	24	PCO5570





**AUSTRALIA**

- Victoria
- New South Wales
- Queensland
- South Australia
- Western Australia
- Tasmania

**NEW ZEALAND**

- Auckland
- Christchurch
- Palmerston North
- Hamilton
- Dunedin



[www.dotmar.com.au](http://www.dotmar.com.au) • 1800 170 001 • [sales@dotmar.com.au](mailto:sales@dotmar.com.au) | [www.dotmar.co.nz](http://www.dotmar.co.nz) • 0800 650 750 • [sales@dotmar.co.nz](mailto:sales@dotmar.co.nz)