

SEWERAGE & WASTE WATER TREATMENT CHAINS PLUS COMPONENTS



SEWERAGE & WASTE WATER TREATMENT CHAINS PLUS COMPONENTS

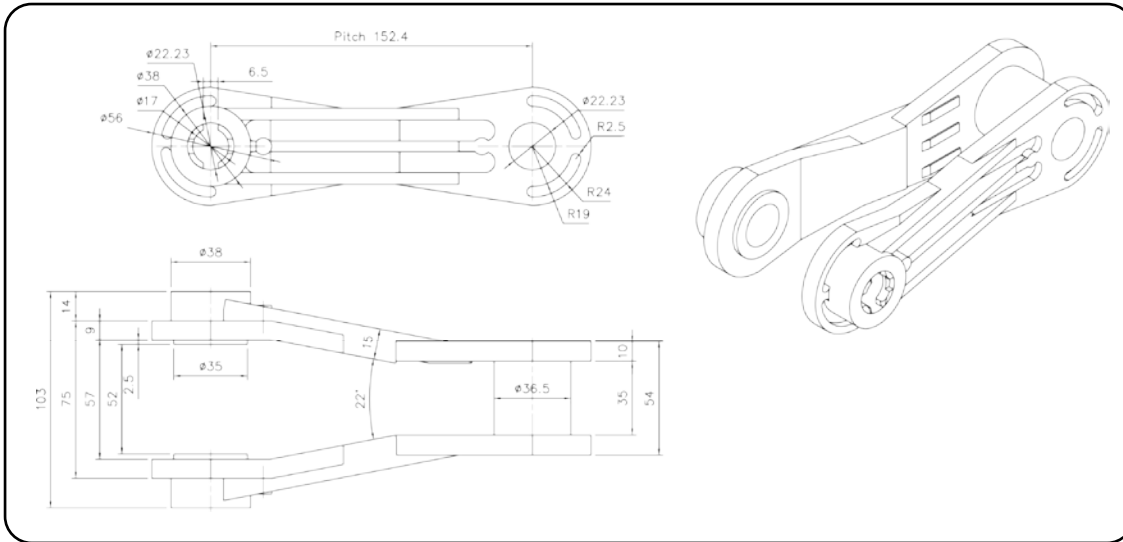


PLASTIC CHAINS AND ATTACHMENTS

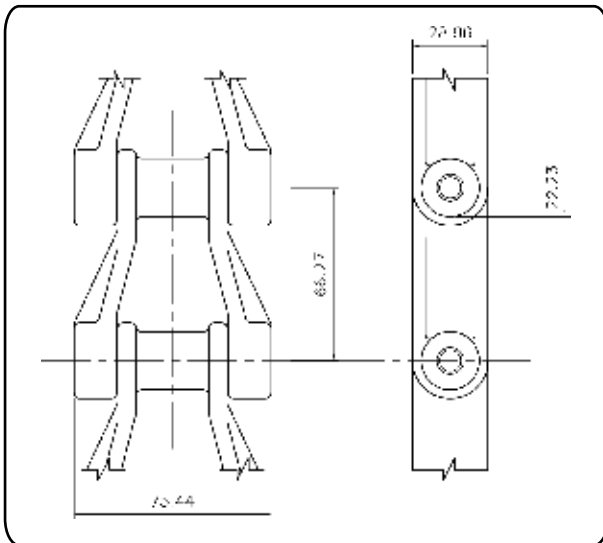
Plastic chain

The non-metallic chains are made of glass filled nylon.
These chains are lighter than Cast Steel Chain.

DESCRIPTION	PART NUMBER	PITCH (MM)	WORKING LOAD (KG)	WEIGHT (KG/M)
720 NON METALLIC	WPC720	152.4	1540	2.2
NH78 NON METALLIC	WPC78	66.27	615	1.7



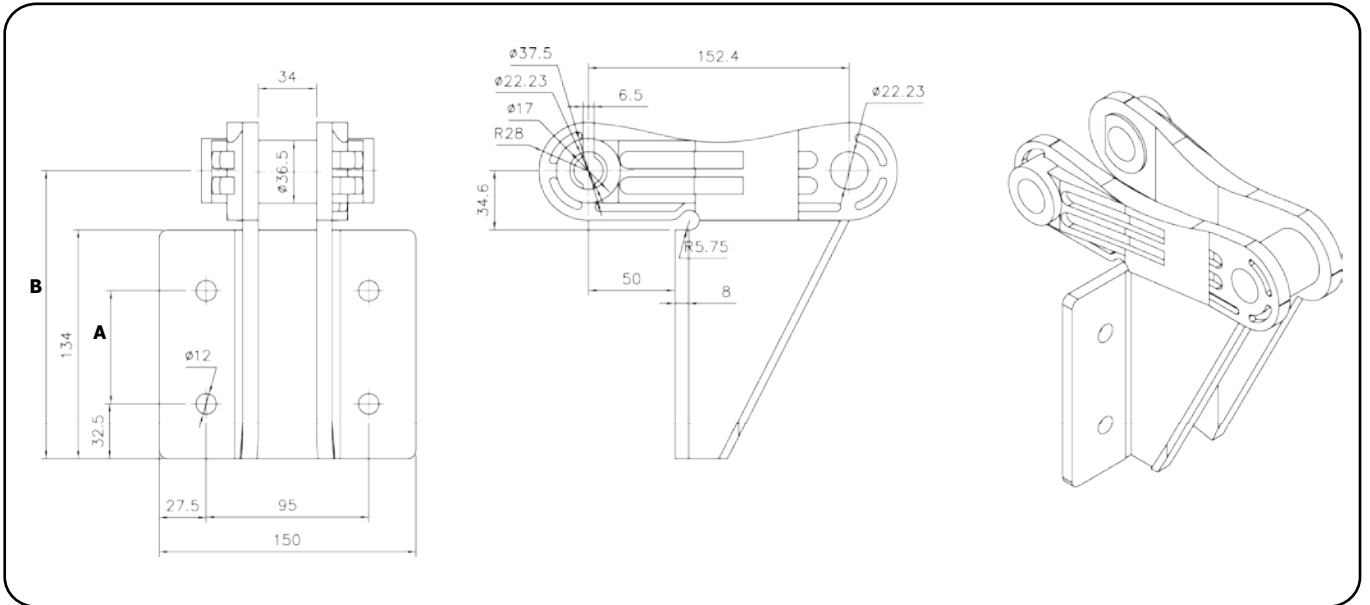
720



NH78

PLASTIC CHAIN ATTACHMENTS

DESCRIPTION	PART NUMBER	A	B
F228 CHAIN ATTACHMENT	WPC228	112	200
F226 CHAIN ATTACHMENT	WPC226	66	169



Nylon sprockets are a durable, lightweight alternative to cast or steel. They are suitable for use with both plastic and cast chains. The 720 sprockets are of chain saver type.

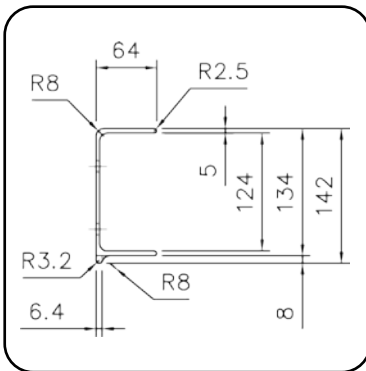
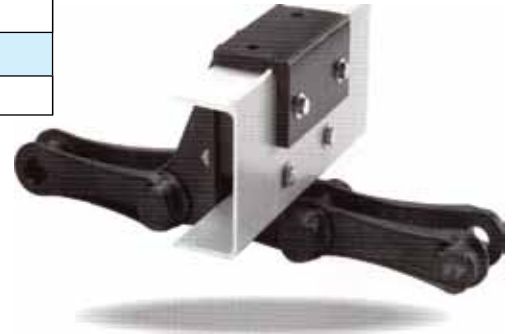
DESCRIPTION	PART NUMBER
720 NYLON 19 T	WPS72019T
720 NYLON 23 T	WPS72023T
720 NYLON 25 T	WPS72025T
H78 NYLON 40T CAST STRAIGHT	WPS7840T
H78 NYLON 40T CAST 2.5" OFFSET	WPS7840T2
H78 NYLON 40T CAST 6.25" OFFSET	WPS7840T6



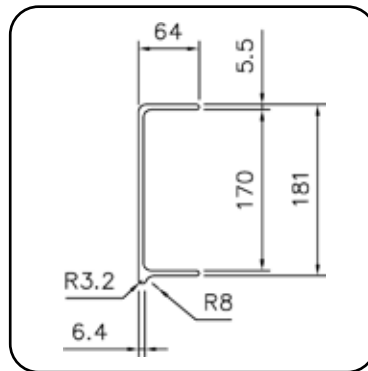
A3 PULTRUDED FIBREGLASS FLIGHTS

Fibreglass flights are a lightweight alternative to wood and are supplied cut to length.

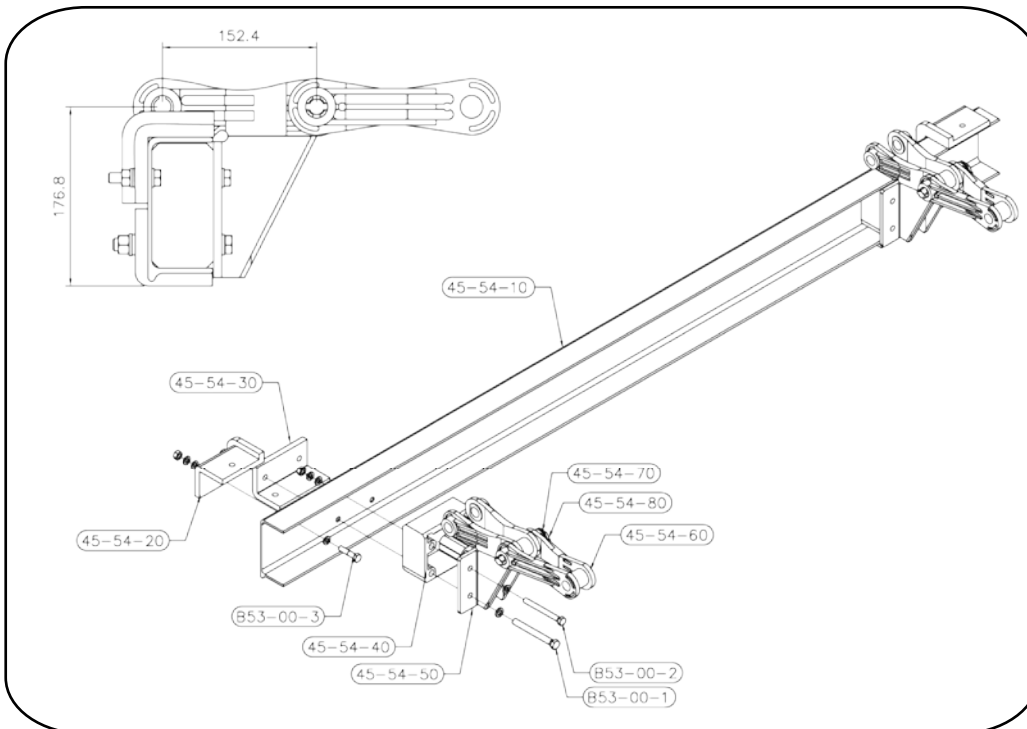
DESCRIPTION	PART NUMBER	WEIGHT (KG/M)
6" 150MM FLIGHT	WFF6	1.8
8" 200MM FLIGHT	WFF8	2.1
FILLER BLOCK FOR FLIGHTS PP	WFFFB	
RETURN WEARSHOE PE	WFFRWS	
CARRYING WEARSHOE PE	WFFCWS	



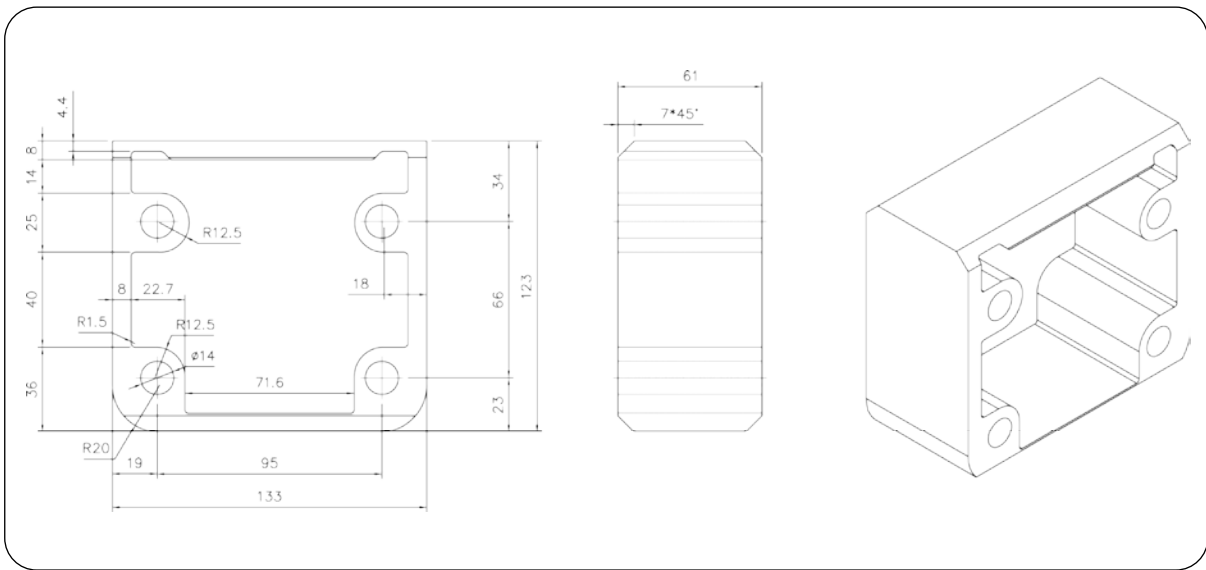
6" FLIGHT



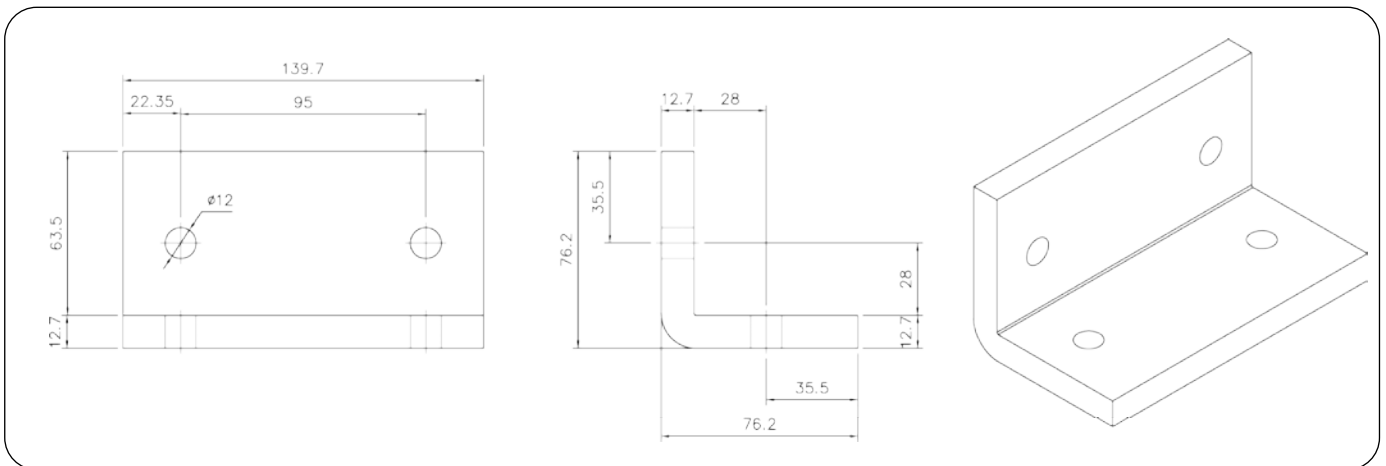
8" FLIGHT



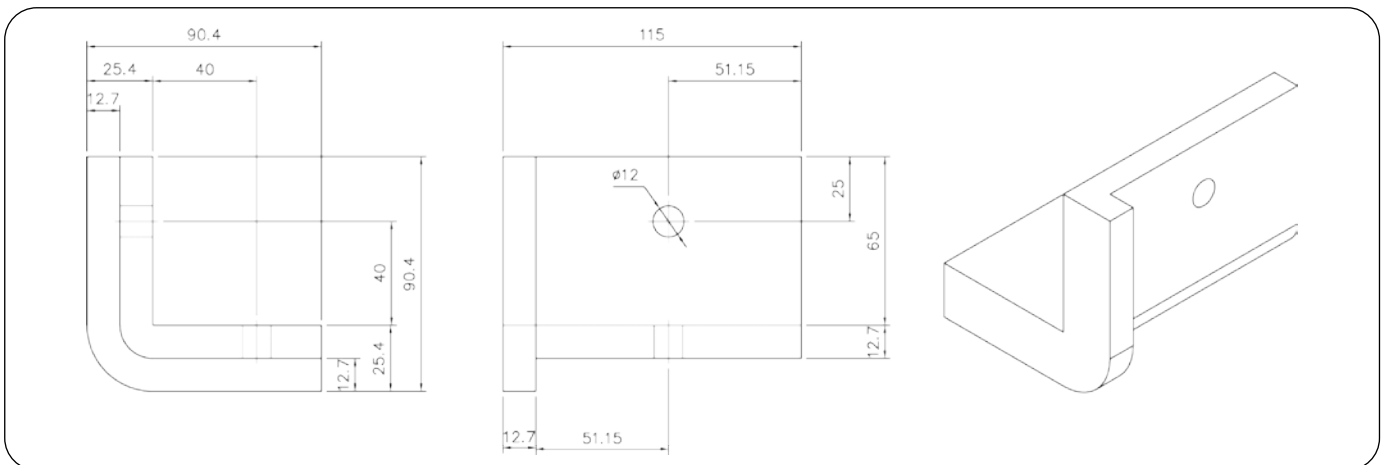
A3 PULTRUDED FIBREGLASS FLIGHTS



FILLER BLOCK



CARRYING WEARSHOE

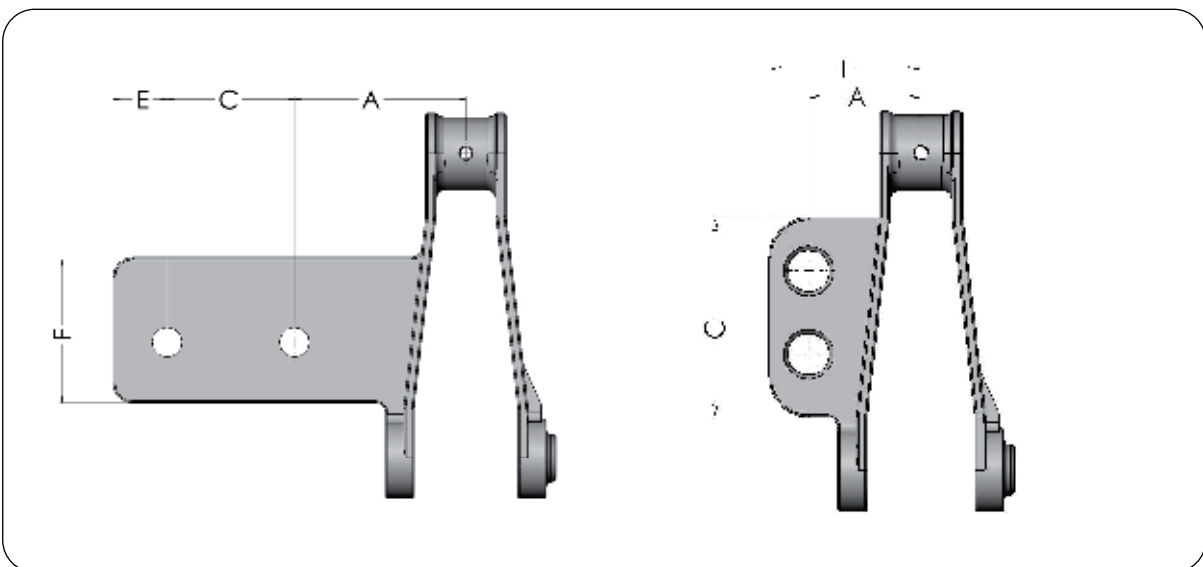


RETURN WEARSHOE

MALCO 720 CAST CHAIN ATTACHMENTS

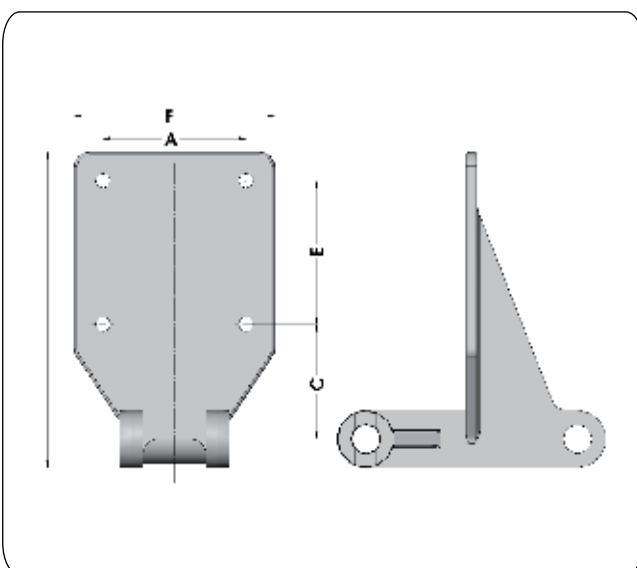
These attachments are suitable for fixing flights, scraper bars and buckets.

DESCRIPTION	PART NO.	A	C	E	F
AD474	WCC44514	85.7	63.5	27	73
F228	WCC44512	95.3	60.3	114.3	140
F226	WCC44511	95.3	60.3	66.7	140
A21 LH	WCC445334	54.0	50.8		73.0
A21 RH	WCC445335	54.0	50.8		73.0



AD 474

A21



F226 - F228

MALCO CAST SPROCKETS

Malco 720 & 78 series sprockets

- Sprocket material ductile iron, providing excellent abrasion resistance and wear life.
- 720 series sprockets have chain saver design. The sprockets have a flange either side of the teeth, this contacts the chain sidebars and maintains the chain pin on the true pitch line of the sprocket. This feature greatly improves chain life.
- The split design of these sprockets provides for easier assembly.

DESCRIPTION	PART NUMBER
720 CAST 19 T	WCS72019T
720 CAST 23 T	WCS72023T
720 CAST 25 T	WCS72025T
H78 CAST 40T CAST STRAIGHT	WCS7840T
H78 CAST 40T CAST 2.5" OFFSET	WCS7840T2
H78 CAST 40T CAST 6.25" OFFSET	WCS7840T6



Chain Wear Materials

Dotmar EPP stocks a large range of plastic wear materials to suit most applications in water treatment. Materials are available in sheet or rod form or as machine components.



DOTMAR PRODUCTS FOR THE WATER TREATMENT INDUSTRY

Plastics

Dotmar EPP provides a wide range of plastic products for the water treatment industry in various applications. These include-

- 1 Shaft bearings and housings
- 2 Tanks
- 3 Scrubbers for air cleaning
- 4 Vanes for step screens
- 5 Screw conveyor linings
- 6 Scrapers for sludge de-watering
- 7 Thrust washers
- 8 Gears
- 9 Slide strips for gate valves
- 10 Wear linings for concrete and metals.
- 11 Replacement parts for metals in corrosive and abrasive environments.



SCRUBBERS



LINING FOR SCREW CONVEYOR



GEARS



BEARING FOR SCREW CONVEYORS



STEP SCREEN VANES



PLASTIC STOCK

PIPE FITTINGS

Pipe fittings

Dotmar offers a wide range of pipe fittings from stock. These include-

- 1 Bolted type couplings for joining of unthreaded pipe ends.
- 2 Stainless steel repair clamps for fast repair of leaks.





- AUSTRALIA**
Victoria
New South Wales
Queensland
South Australia
Western Australia
Tasmania
- NEW ZEALAND**
Auckland
Christchurch
Palmerston North
Hamilton
Dunedin

